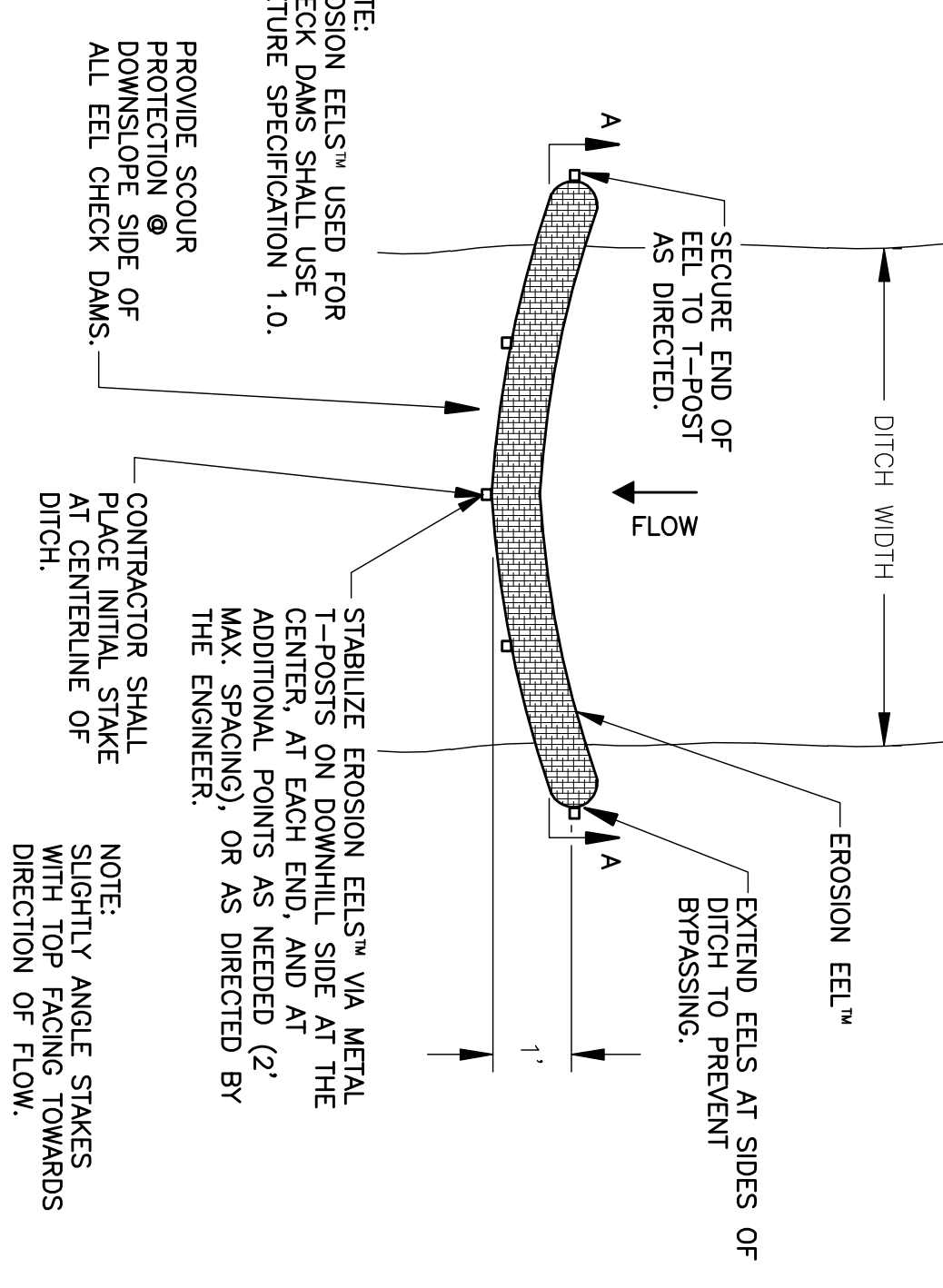
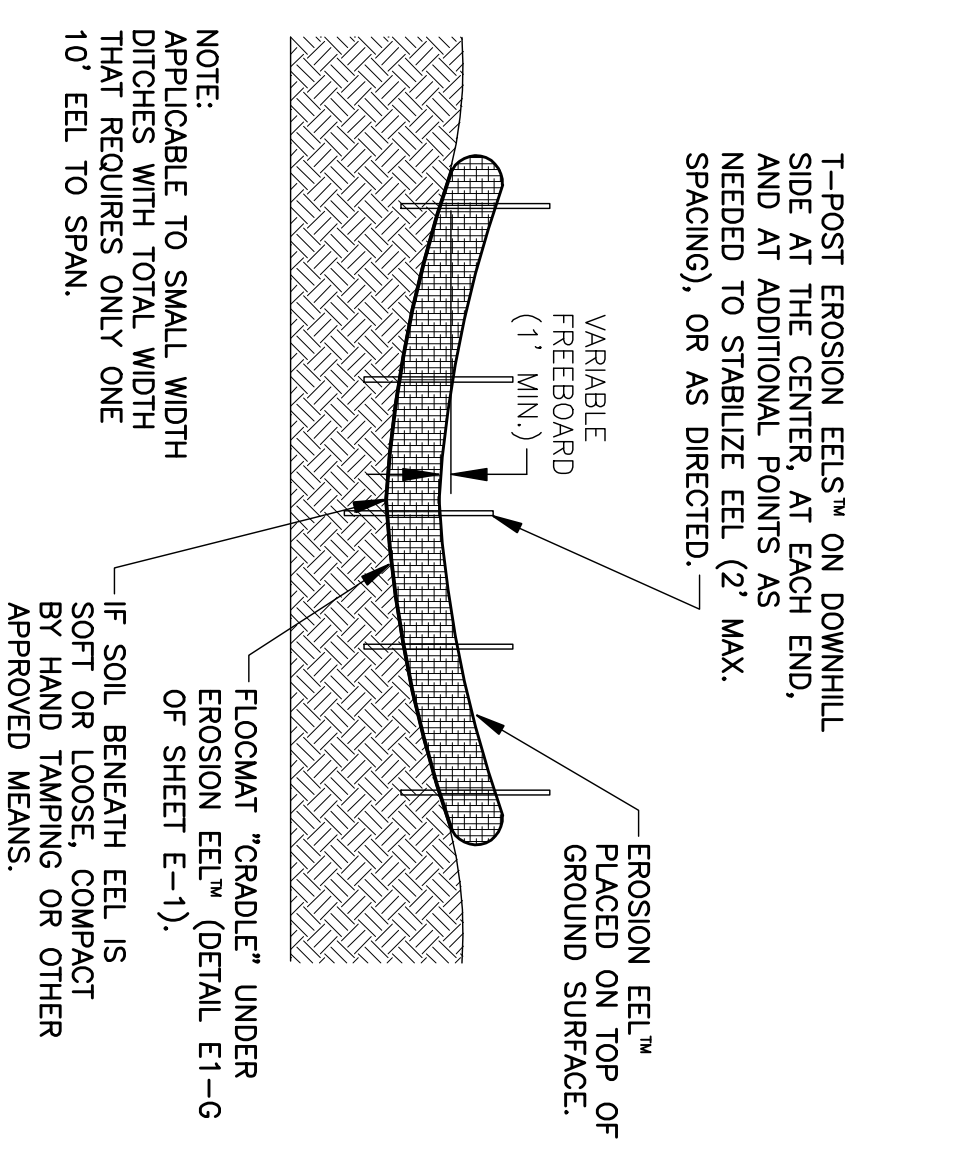


NOTE:
APPLICABLE TO SMALL WIDTH
DITCHES WITH TOTAL WIDTH
THAT REQUIRES ONLY ONE
10' EEL TO SPAN.



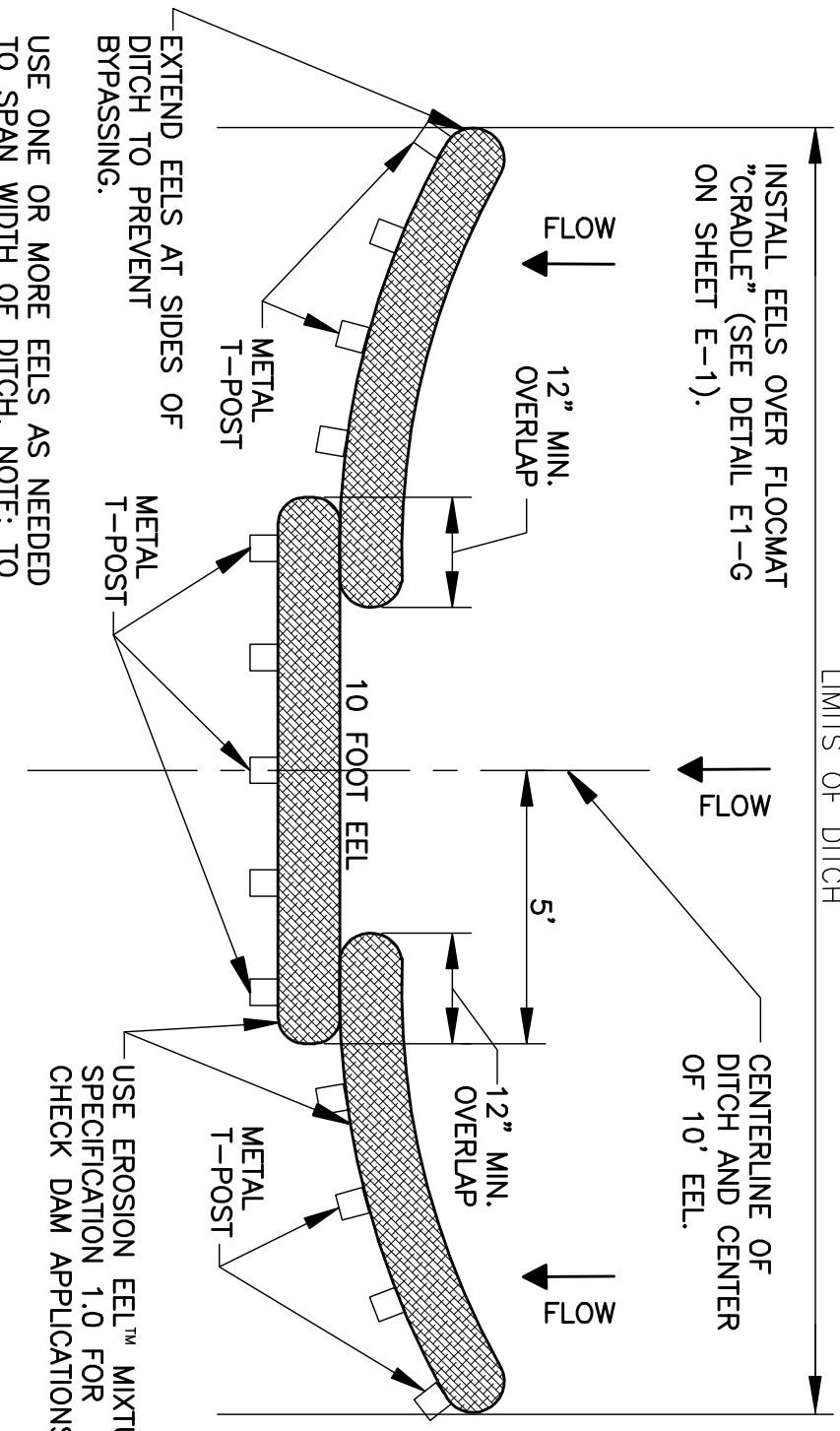
DETAIL E2-A: PLAN VIEW -
SMALL DITCH CHECKS FOR 9.5%
AND 20% EELS
N.T.S.

NOTE:
SLIGHTLY ANGLE STAKES
SLIGHTLY TOWARDS
DIRECTION OF FLOW.



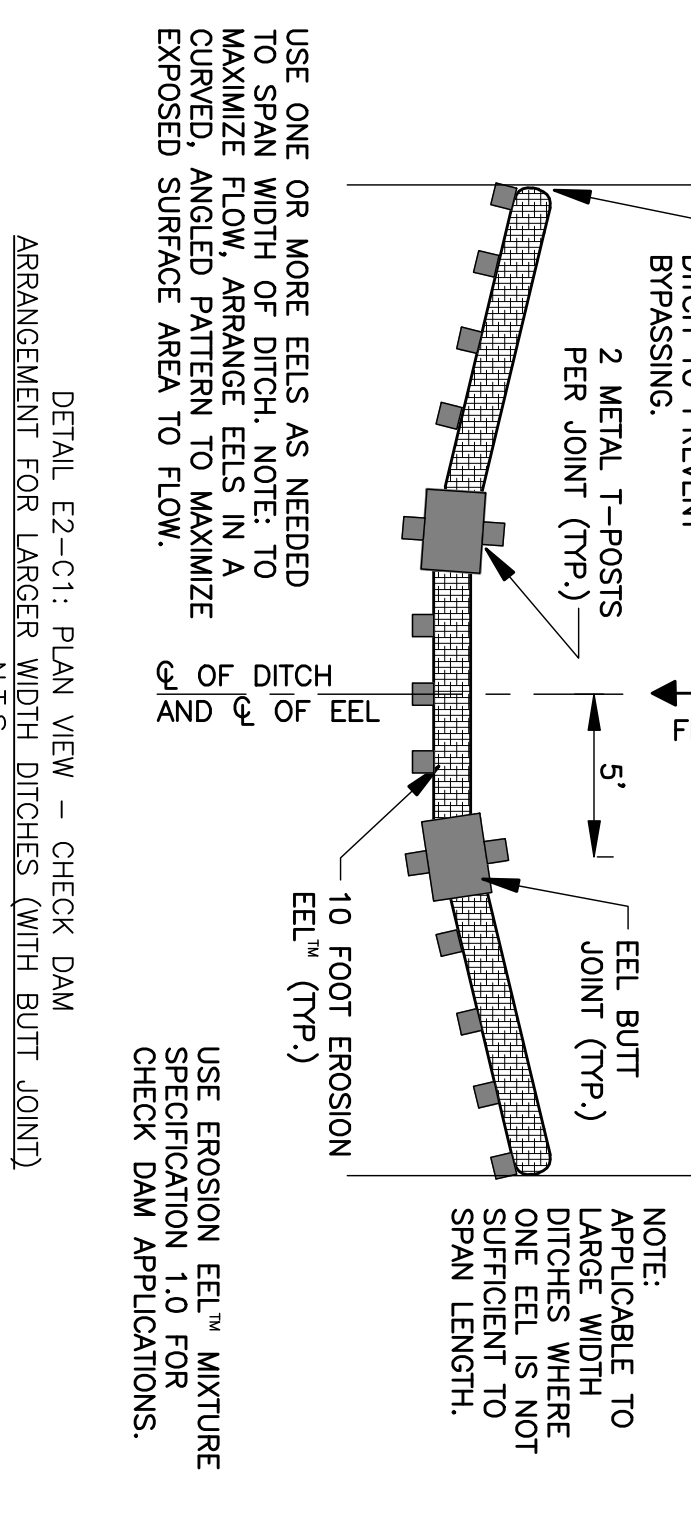
DETAIL E2-B: SECTION - SMALL DITCH CHECKS FOR 9.5%
AND 20% EELS
N.T.S.

NOTE:
SLIGHTLY ANGLE STAKES
SLIGHTLY TOWARDS
DIRECTION OF FLOW.



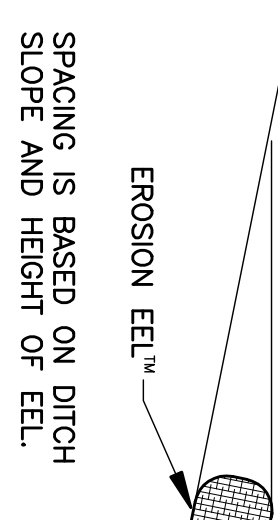
DETAIL E2-C: PLAN VIEW - CHECK DAM
ARRANGEMENT FOR LARGER
WIDTH DITCHES
N.T.S.

INSTALL EELS OVER
FLOOQMAT "CRADLE"
(SEE DETAIL E1-G
ON SHEET E-1).

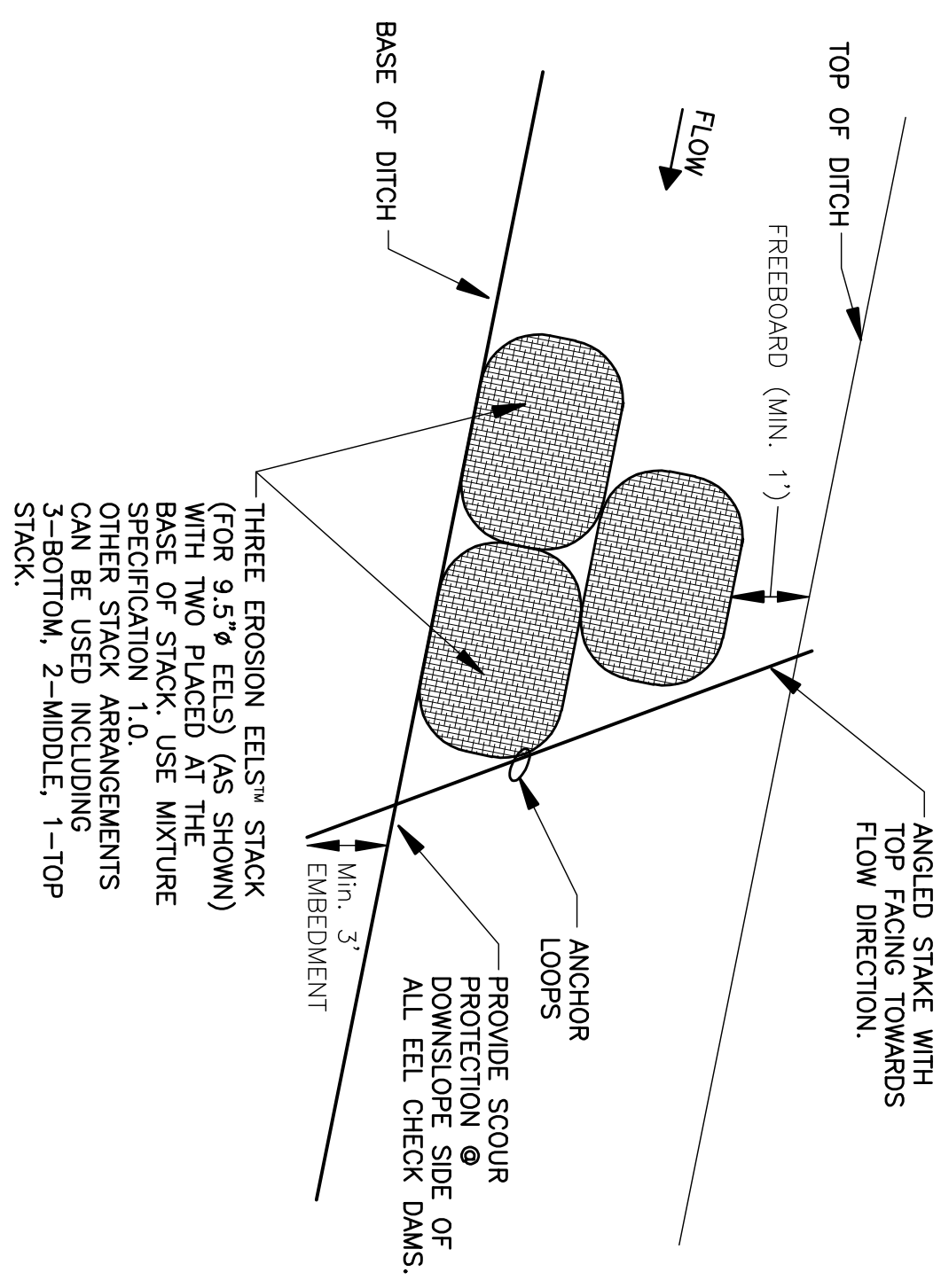


DETAIL E2-D: SECTION VIEW FOR 9.5%
AND 20% EELS
N.T.S.

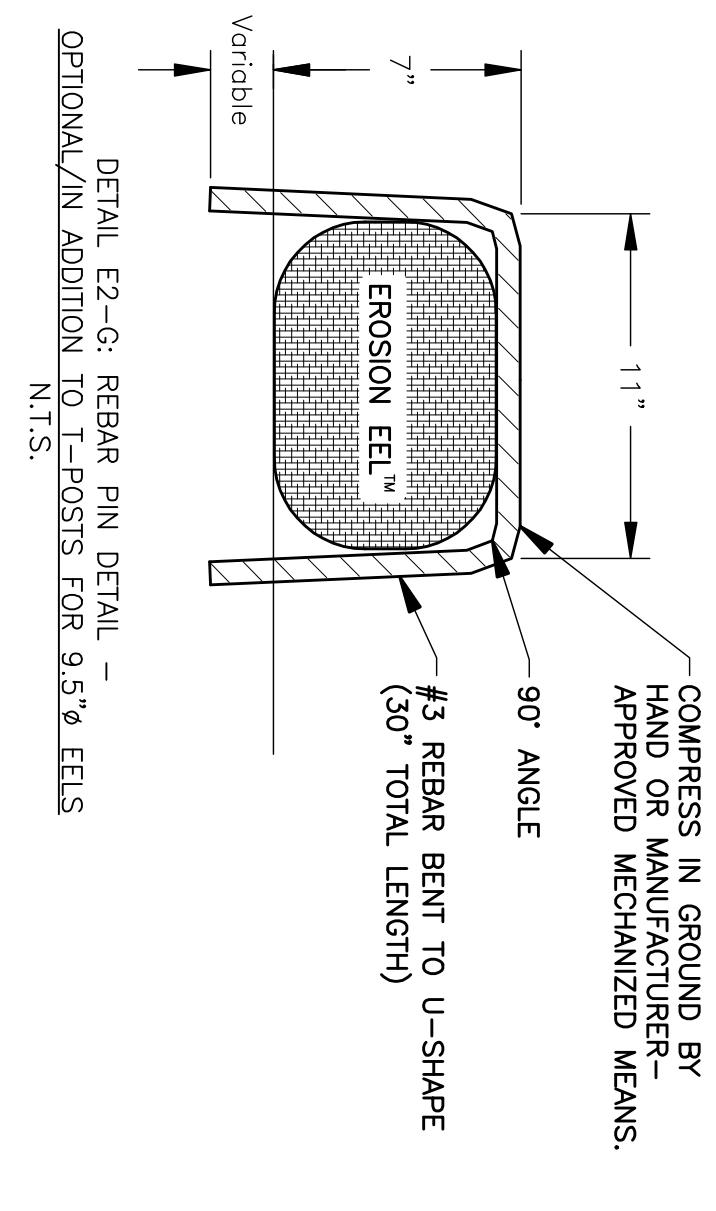
SLOPE (%)	9.5% SINGLE EEL		9.5% STACKED DUAL EEL		20% SINGLE EEL	
	SPACING (H)	SPACING (H)	SPACING (H)	SPACING (H)	SPACING (H)	SPACING (H)
0.5	115	115	233	233	333	333
1	55	55	115	115	167	167
2	29	29	58	58	84	84
3	19	19	38	38	56	56
4	14	14	29	29	42	42
5	12	12	23	23	33	33
10	6	6	12	12	17	17
15	N/A	N/A	8	8	11	11
20	N/A	N/A	6	6	9	9
25	N/A	N/A	N/A	N/A	7	7



DETAIL E2-E: SECTION - TYPICAL DETAIL -
REINFORCED CHECK DAM FOR HIGH
FLOW APPLICATIONS FOR 9.5%
EELS (OPTION A)
N.T.S.



DETAIL E2-F: SECTION - TYPICAL DETAIL -
REINFORCED CHECK DAM FOR HIGH
FLOW APPLICATIONS FOR LARGER
DITCHES (OPTION B) FOR 9.5%
EELS
N.T.S.



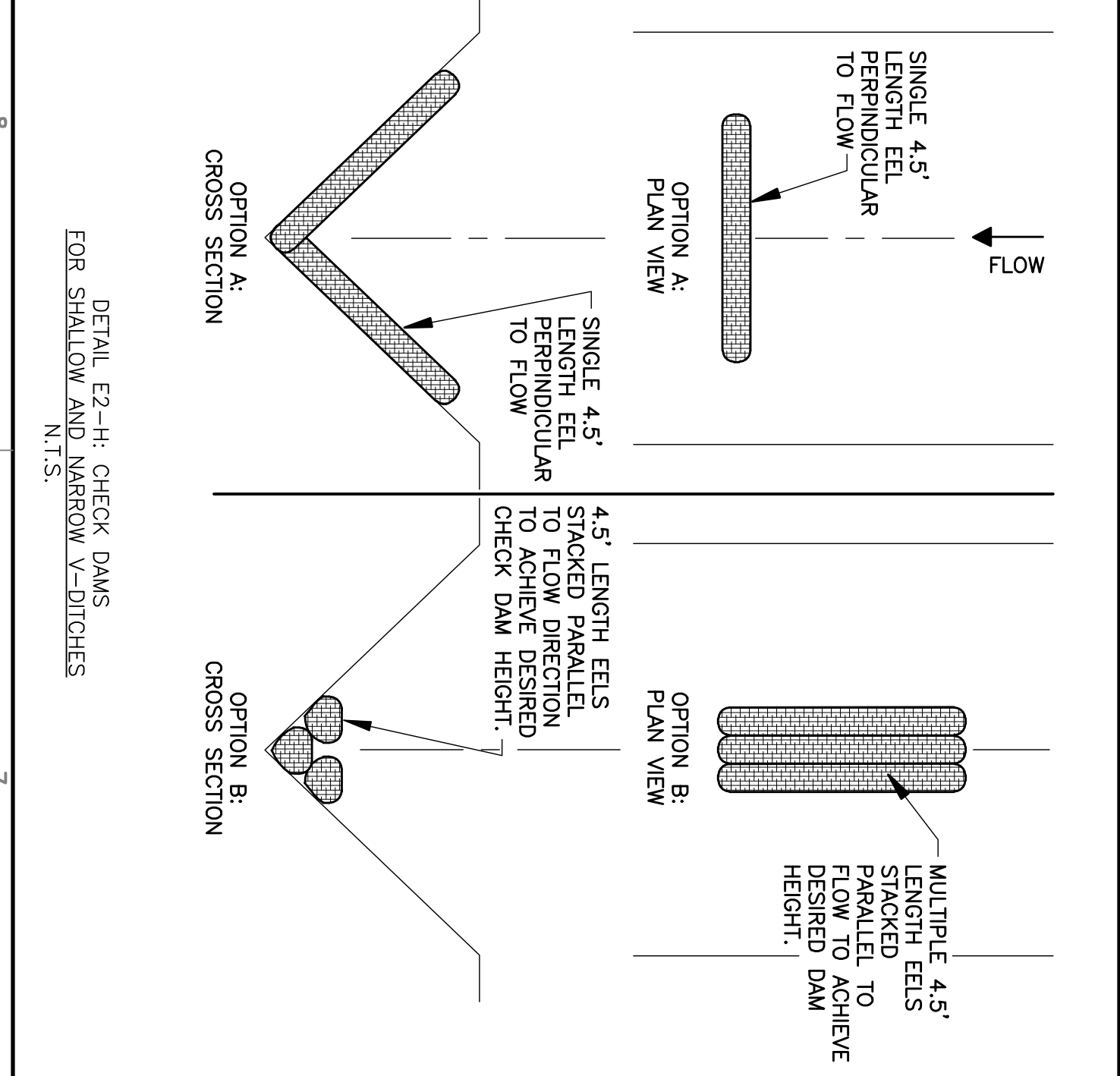
DETAIL E2-G: REBAR PIN DETAIL -
OPTIONAL/IN ADDITION TO T-POSTS FOR 9.5%
EELS
N.T.S.

CHECK DAM DETAILS FOR THE EROSION EEL™

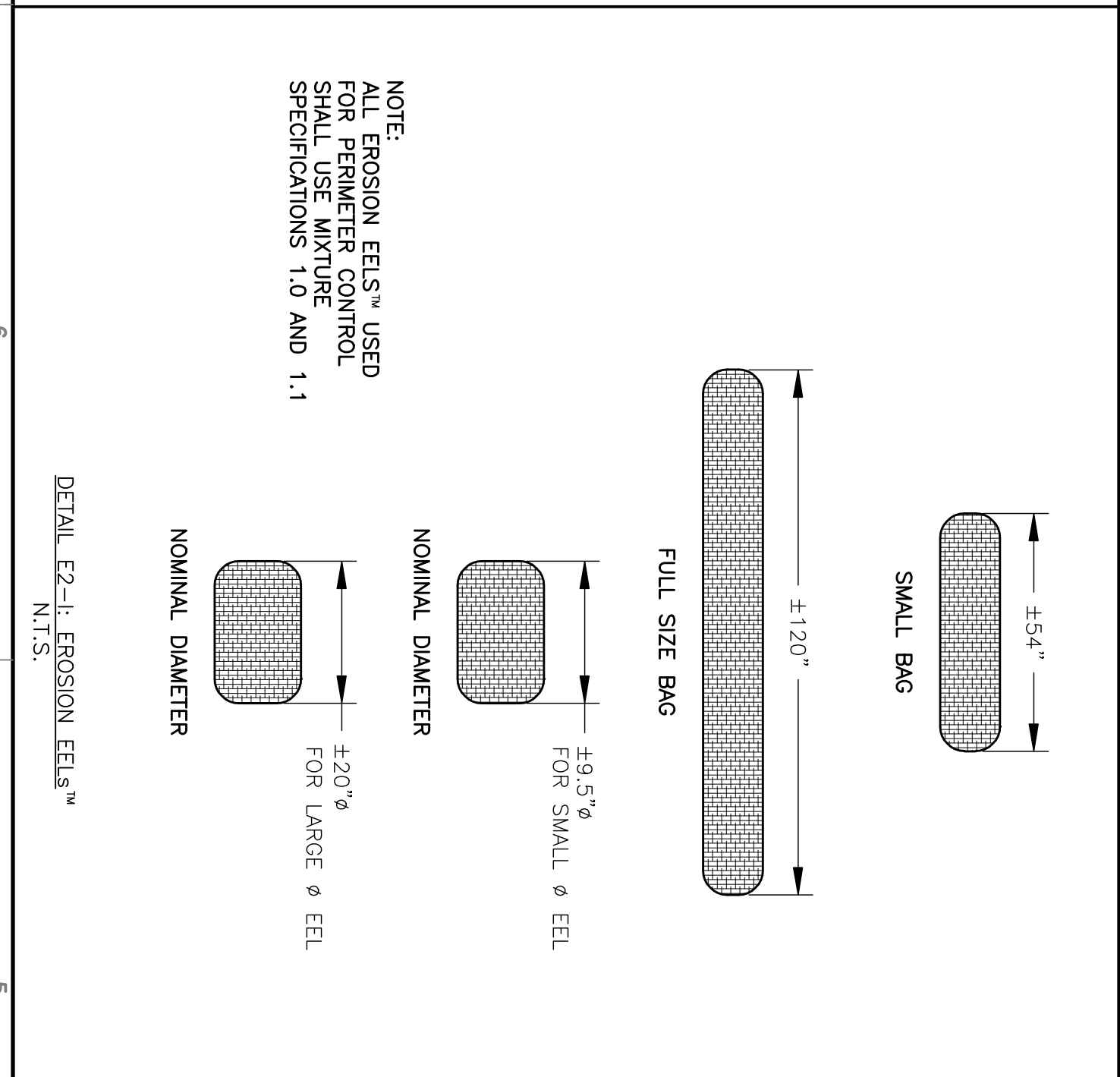
FRIENDLY ENVIRONMENT
100 PRINCE STREET
SHELBYVILLE, TENNESSEE 37160
1-931-607-5953

GENERAL NOTES

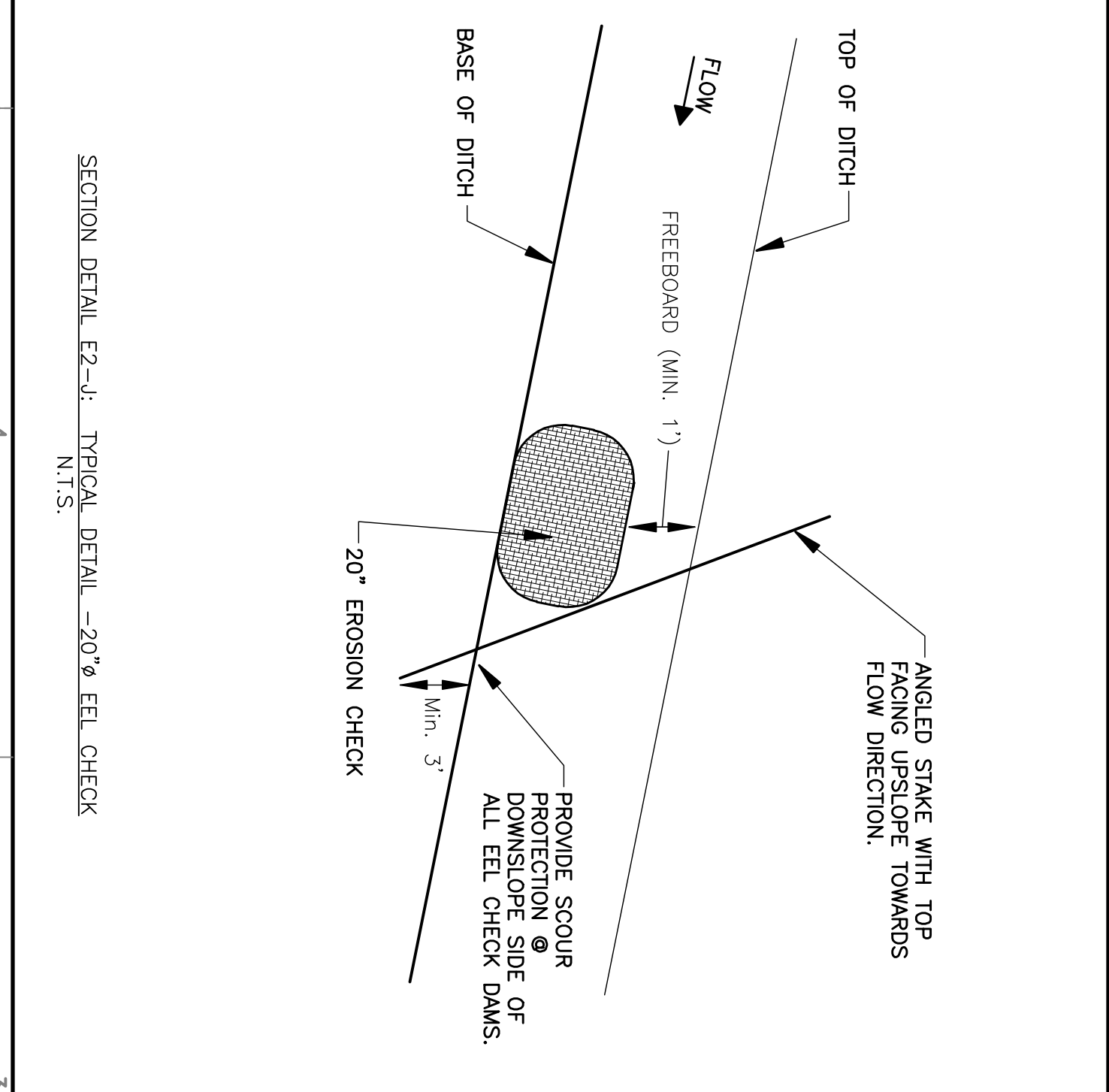
1. EROSION EELS™ USED IN CHECK DAM APPLICATIONS SHALL HAVE A SPECIFICATION MIXTURE 1.0.
2. MIXTURE SPECIFICATION 1.0 IS A FILTER MIXTURE COMPRISED OF 100% SHREDDED RUBBER THAT HAS BEEN WASHED AND PROCESSED TO REMOVE MOST PARTICLE SIZE OF +/2 INCHES.
3. EROSION EELS™ SHALL BE MANUFACTURED FROM A WOVEN GEOTEXTILE COVERING WITH INTERIOR FILTER MATERIALS SUCH AS 100% SHREDDED RUBBER.
4. LENGTHS OF EROSION EELS™ SHALL BE EITHER A NOMINAL +/-10 FT. OR +/- 4.5 FT. NOMINAL DIAMETER SHALL BE +/-9.5 INCHES +/-OR 20 INCHES.
5. EROSION EELS™ SHALL BE IN A DITCH AS A CHECK DAM TO HELP REDUCE SUSPENDED SOLIDS LOADING AND RETAIN SEDIMENT, OR AS A GENERAL FILTER FOR ANY DISTURBED SOIL AREA.
6. NO TRENCHING IS REQUIRED FOR INSTALLATION OF EROSION EELS™.
7. PREPARE BED FOR EEL INSTALLATION BY REMOVING ANY LARGE ROCKS INCLUDING ROCKS, SOIL CLOS, AND WOODY VEGETATION. EROSION EELS™ CAN ALSO BE PLACED OVER PAVED SURFACES INCLUDING CONCRETE AND ASPHALT WITH NO SURFACE PREPARATION REQUIRED.
8. MAKE BED AREA WITH A HAND RAKE OR BY DRAG HARROW.
9. DO NOT PLACE EEL DIRECTLY OVER HILL AND GULLIES UNTIL AREA HAS BEEN HAND-EXCAVATED AND RAKED TO PROVIDE A LEVEL BEDDING SURFACE. ALL SURFACES SHALL BE UNIFORMLY COMPACTED FOR MAXIMUM SETTING OF EELS IN PLACE.
10. FOR LOCATIONS WHERE EELS WILL BE PLACED IN CONCENTRATED FLOWS (SUCH AS CHECK DAMS, INLET PROTECTION, AND FOR PERIMETER CONTROLS AT PRIMARY DISCHARGE LOCATIONS) BED THE EELS IN A WIDE MESH CRADLE PER THE DETAIL DRAWINGS.
11. FOR DITCH APPLICATIONS, THE MAXIMUM DRAINAGE AREA SHALL BE 10 ACRES.
12. IF MORE THAN ONE EROSION EEL™ IS PLACED IN A ROW, JOINTS SHALL BE INSTALLED PER DETAIL E1-B1.
13. FOR CHECK DAM APPLICATIONS, EROSION EELS™ SHALL BE PLACED PERPENDICULAR TO THE FLOW OF THE WATER. EROSION EELS™ SHALL CONTINUE UP THE SLOPE SIDES A MINIMUM OF 3 FEET ABOVE THE DESIGN FLOW DEPTH.
14. EROSION EELS™ SHALL REMAIN IN PLACE UNTIL FULLY ESTABLISHED VEGETATION HAS COMPLETELY ENGULFED OR UNTIL THE STORAGE CAPACITY/FUNCTIONAL LIFE OF THE EEL HAS BEEN EXHAUSTED REQUIRING REPLACEMENT WITH NEW EELS™.
15. ANCHORING POSTS PER CHECK DAM APPLICATIONS SHALL HAVE A MINIMUM WEIGHT OF 1.25 LBS/FT STEEL T-POSTS (9 TO 7 FT LENGTH) ROLLED FROM HIGH CARBON STEEL. POSTS SHOULD BE HOT-DIP GALVANIZED OR COATED WITH A WEATHER-RESISTANT PAINT FOR STEEL APPLICATION. POST SHOULD BE EQUIPPED WITH A METAL ANCHOR PLATE. INSTALL PER DETAILS ON THIS SHEET.
16. PLACE T-POSTS THROUGH HANDLE OF BAGS. DO NOT DRIVE POSTS THROUGH EROSION EELS™ T-POSTS ARE TO BE EMBEDDED A MINIMUM OF 3 FT. INTO GROUND.



DETAIL E2-H: CHECK DAMS
FOR SHALLOW AND NARROW V-DITCHES
N.T.S.



DETAIL E2-I: EROSION EELS™
N.T.S.



SECTION DETAIL E2-J: TYPICAL DETAIL - 20%
EEL CHECK
N.T.S.

©2007 DENNY HASTINGS FLP 11, JUNE 25, 2007

NOTE: DRAWINGS SUBJECT TO REVISIONS AT DISCRETION OF MANUFACTURER

SHEET	OF	LAST EDIT DATE: June 2, 2008	DRAWN BY: LM
DWG NO.:		N.T.S.	CHECKED BY: KW
		PROJECT NO: 060-925	
		QUALITY MANAGER APPROVAL:	

SUBMITTAL & REVISION RECORD		DESCRIPTION
NO	DATE	

Authorized Use:

- Survey
- Design Dev.
- Permitting
- Bidding
- Construction