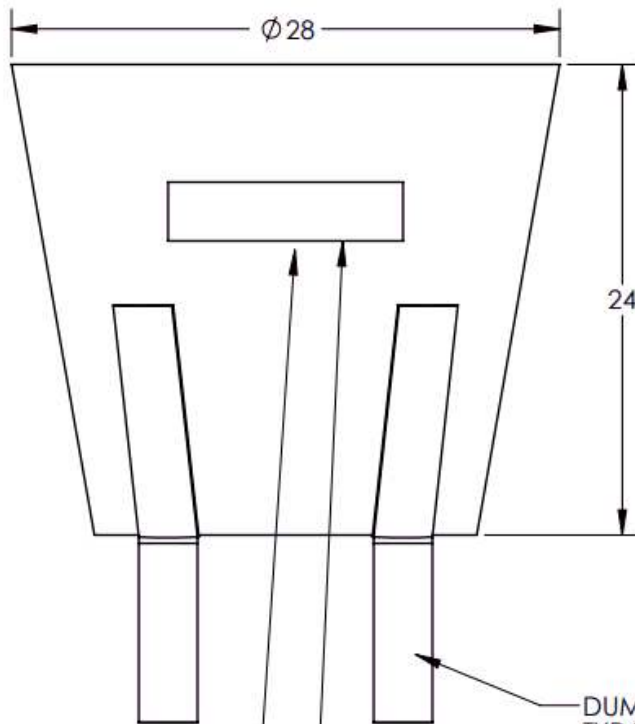


LIFTING STRAPS
TYP 2 PER



DUMPING STRAPS
TYP 2 PER

REINFORCED STITCHING
AROUND OVERFLOWS

3" X 12" OVERFLOWS, 2 PLCS

ACF ECONOSACK (28" ROUND)

FERGUSON
WATERWORKS

CORPORATE OFFICE
2831 CARDWELL RD
RICHMOND, VA 23234
INFOGEO@FERGUSON.COM
WWW.FERGUSONGSS.COM

FOR ADDITIONAL INFORMATION PLEASE
CONTACT FERGUSON SALES
INFOGEO@FERGUSON.COM OR VISIT
WWW.FERGUSONGSS.COM