

ECONOCURB

CURB INLET FILTER

THE ECONOCURB IS A TEMPORARY INLET PROTECTION DEVICE DESIGNED TO PROTECT CURB THROATS FROM SEDIMENT AND DEBRIS IN CONSTRUCTION APPLICATIONS.

Curb Inlets come in a variety of sizes and protecting them during construction can be tricky. That is why we created the EconoCurb, the newest curb inlet filter from Ferguson Waterworks. This reusable device prevents sediment, debris, and other pollutants from entering stormwater systems. The lightweight design makes the unit easy to ship but the built-in rock pouch assures it will stay in place. The EconoCurb is 4" in diameter and manufactured in lengths to fit any size curb inlet.

AVAILABLE UNITS

- 6 FT - ACFECONOCB06
- 8 FT - ACFECONOCB08
- 10 FT - ACFECONOCB10
- 12 FT - ACFECONOCB12
- 14 FT - ACFECONOCB14
- Custom sizing - ACFECONOCBCUS

ADVANTAGES

- Easy to Install
- Rock pouch holds unit in place
- Built-in overflow
- Reusable and easy to clean
- Proven, reliable performance
- Strong, lightweight, portable
- High Visibility / Added jobsite safety



For more information about Inlet Protection, contact Inside Sales at **800.448.3636** or **info@ferguson.com** or visit us at **fergusongss.com**

SPECIFICATIONS

PROPERTY	MINIMUM AVERAGE ROLL VALUE
Weight/Square Yard	4 oz./sy
Weave	20 x 15.17 threads/inch ²

RESULTS QUOTED ABOVE ARE THE MEAN OF MULTIPLE TESTS CONDUCTED AT AN INDEPENDENT TESTING FACILITY.

INSTALLATION



- 1 Place EconoCurb in front of the inlet with rock pouch facing street.



- 2 Open velcro access and fill pouch with aggregate to keep unit in place.

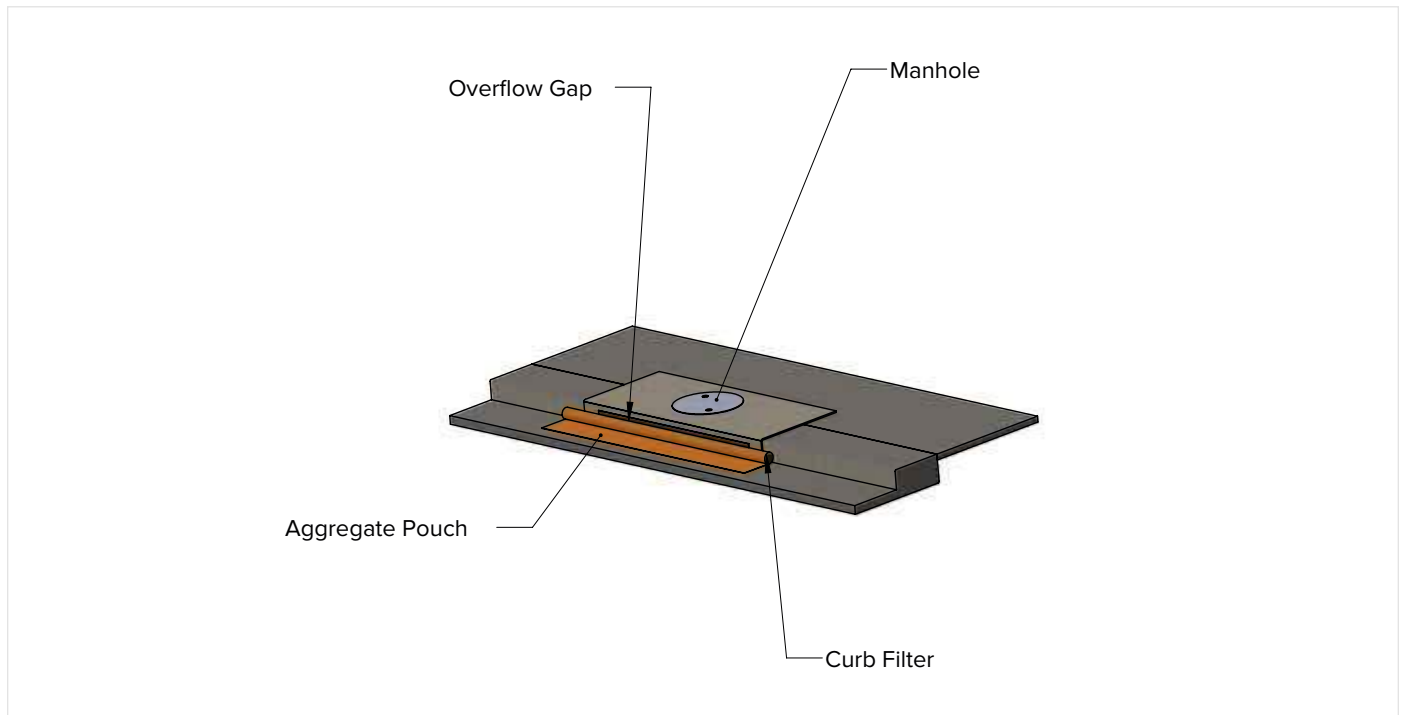


- 3 Close velcro and center unit with 1' overhang on each side of the inlet.

MAINTENANCE

- The EconoCurb should be cleaned if a visual inspection reveals silt and debris built up on and around the unit.
- The EconoCurb is reusable; once finished remove, clean, and store out of sunlight.
- Ponding is likely if sediment is not removed. Inspections should occur after any major rain event.

DESIGN



For more information about Inlet Protection, contact Inside Sales at **800.448.3636** or **info@ferguson.com** or visit us at **fergusongss.com**