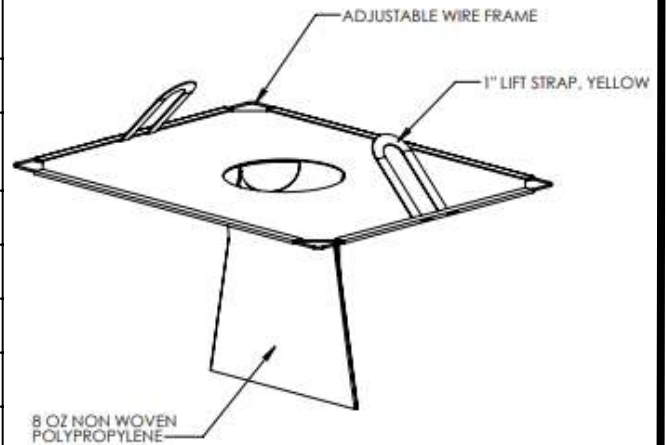


ACF SILTSACK NW PROPERTIES

PROPERTY	TEST METHOD	MARV
TENSILE STRENGTH	ASTM D-4632	205 LBS
ELONGATION	ASTM D-4632	50%
TRAPEZOID TEAR	ASTM D-4533	80 LBS
CBR PUNCTURE	ASTM D-6241	500 LBS
AOS	ASTM D-4751	80 SIEVE
PERMITTIVITY	ASTM D-4491	1.4 SEC -1
FLOW RATE	ASTM D-4491	90 GPM/FT2
UV RESISTANCE	ASTM D-4355	70%
SEAM BREAKING STRENGTH	ASTM D4632 (MOD FOR SEAM STRENGTH)	160 LBS
SEDIMENT REMOVAL	ASTM D7701	EXCEEDS 80% REMOVAL EFFICIENCY



ACF SILTSACK NW LD



CORPORATE OFFICE
 2831 CARDWELL RD
 RICHMOND, VA 23234
 INFOGEO@FERGUSON.COM
 WWW.FERGUSONGSS.COM

FOR ADDITIONAL INFORMATION PLEASE
 CONTACT FERGUSON SALES
 INFOGEO@FERGUSON.COM OR VISIT
 WWW.FERGUSONGSS.COM