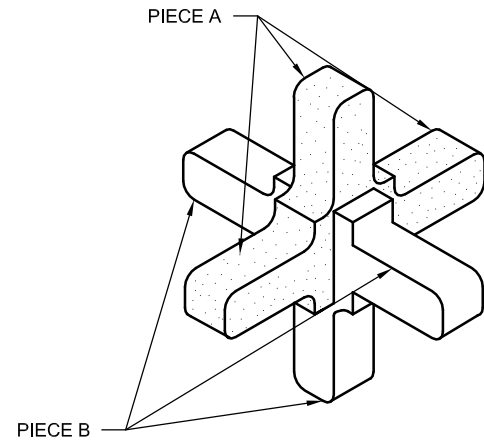
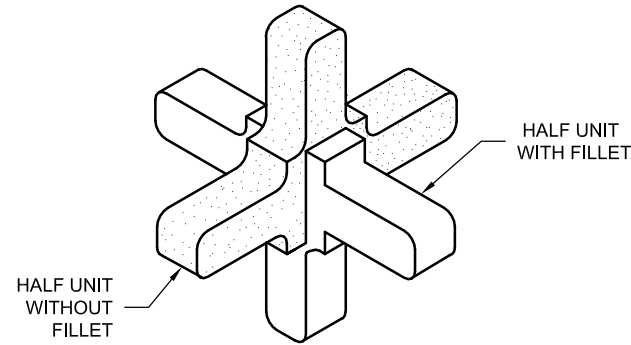


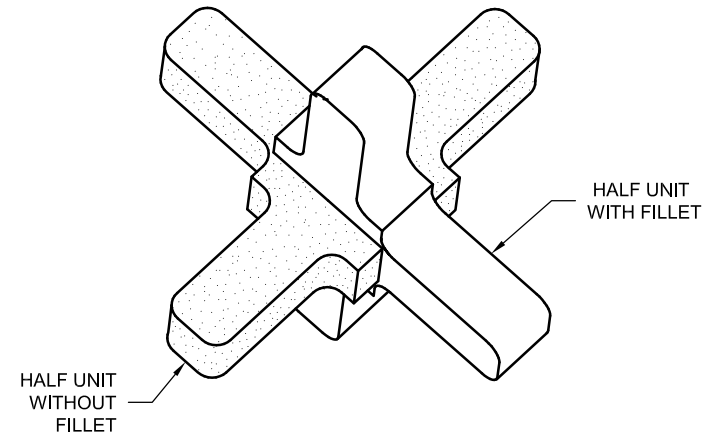
I:\COMMON\CAD\ARMORTEC\DETAILS\A-JACKS\DRAWING\A-JACKS 24 STANDARD DETAIL SHEET.DWG 1/5/2018 1:17 PM



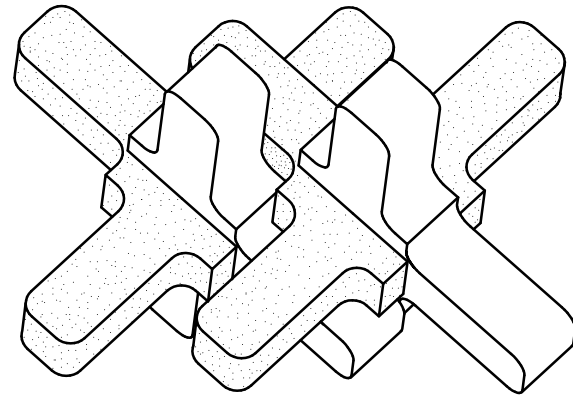
1. IDENTIFY A-JACKS COMPONENTS. PLEASE NOTE THAT EACH UNIT HALF IS IDENTICAL WITH ALTERNATING FILLET FEATURES TO AID IN ORIENTATION WHEN PLACED.



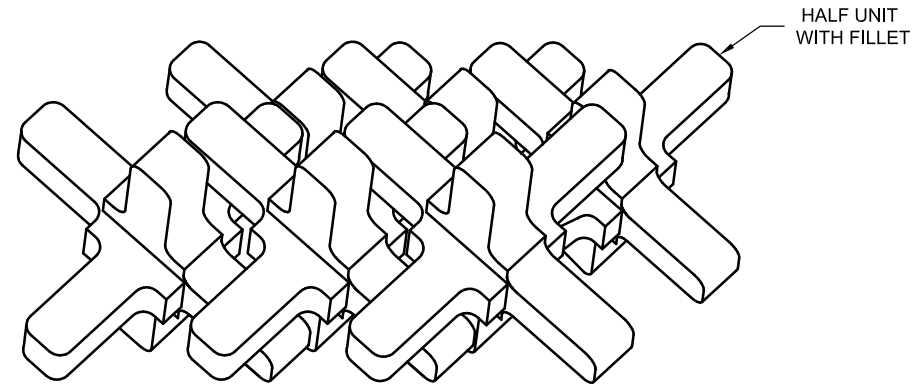
2. IDENTIFY CORNERS WITH AND WITHOUT FILLETS.



3. PROPER ROTATION OF A-JACKS (SEE INSTALLATION GUIDE IN SUBMITTAL DOCUMENTS FOR ADDITIONAL INFORMATION).



4. ALIGN ALL A-JACKS IN SAME DIRECTION, CORNERS WITHOUT FILLET MUST LINE UP (SEE INSTALLATION GUIDE IN SUBMITTAL DOCUMENTS FOR ADDITIONAL INFORMATION).



5. INSTALL 2ND ROW OF A-JACKS USING SAME ALIGNMENT IN ORDER TO CONSTRUCT MODULES. SUCCESSIVE ROWS ARE PLACED TO ACHIEVE DESIRED MODULE DIMENSION (AS SPECIFIED BY OWNER, INSTALLING CONTRACTOR OR AUTHORIZED PROJECT REPRESENTATIVE).

### A-JACKS CONFIGURATION

N.T.S.



### A-JACKS STANDARD DETAILS

COPYRIGHT © ARMORTEC 2018 ALL RIGHTS RESERVED.

DATE: 1/5/2018

SCALE: NONE

PROJECT No.:

SEQ. No.:

DRAWN: MEG

CHECKED: CBK