

BENEFITS & FEATURES

- The GeoCurve has been hydraulically tested to provide superior performance
- The GeoCurve is installed as a standard BMP throughout the United States, and it is available through local distributors in your area
- The shape of the GeoCurve allows it to nest on top of itself for easy storage and transportation in an effort to cut down on freight expenses
- The GeoCurve is available in multiple diameters and lengths with an option to customize and modify the size
- If properly installed and maintained, the GeoCurve can be reused on multiple sites
- The recessed & reusable curb-inlet filter provides effective stormwater compliance while also maintaining the aesthetic of the protected property
- Sediment and trash are contained in the device allowing easy maintenance and disposal of pollutants. Improved filtration can be accomplished by adding various filter elements

SPECIFICATIONS

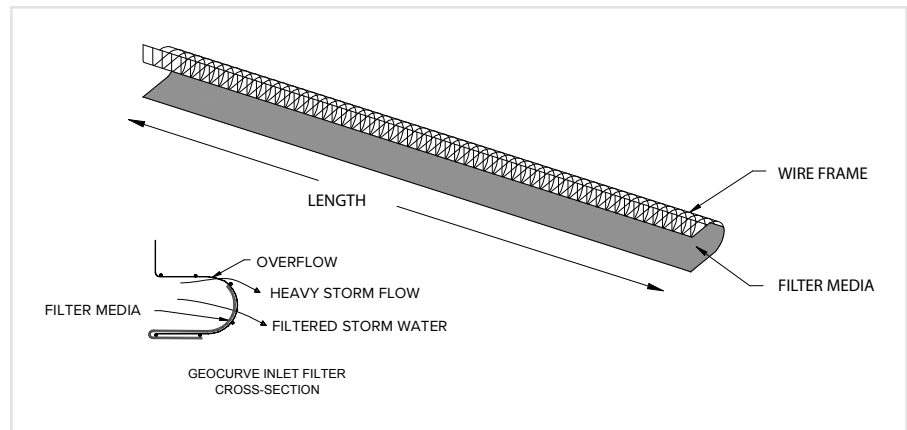
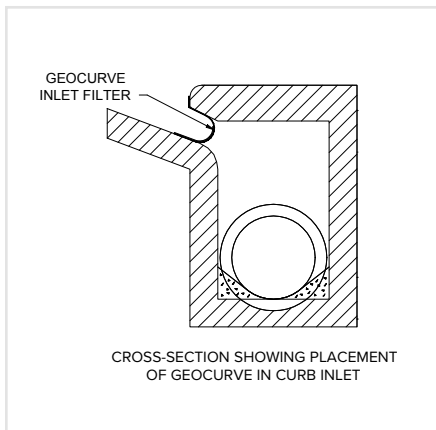
PROPERTY	TEST METHOD	VALUE
DEVICE		
Device Flow Rate	Empirical Flow Test	300 gal/min/sf of inlet open area
FILTER FABRIC: Monofilament Woven Filter Fabric		
Fabric Weight	ASTM D 3776	4.5 oz/sy
Grab Tensile Strength	ASTM D 4632	200 lbs
Mullen Burst Strength	ASTM D 3786	410 lbs/sq in
UV Stability	ASTM D 4355	80%
Water Flow Rate	ASTM D 4491	200 gal/min/sf



COMPRESSION FIT TECHNOLOGY

GeoCurve has served the stormwater industry as an innovative approach to maintaining compliance through a cost-effective, high-performance, and easy-to-handle product. The GeoCurve snaps into the mouth of the curb inlet, allowing the product to function while remaining properly recessed within the inlet. The GeoCurve is essentially invisible to the untrained eye, making it an ideal solution for inlet protection on urban sites. Stormwater is encouraged to enter the mouth of the inlet, while all of the captured debris/sediment rests out of harm's way, hidden from oncoming traffic and pedestrians.

DESIGN



For more information about inlet protection, contact inside sales at **800.448.3636** or **info@ferguson.com** or visit us at **fergusongss.com**